

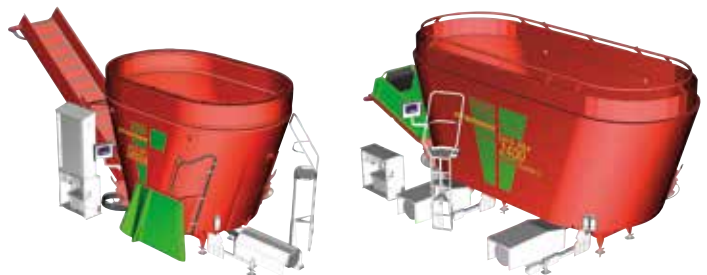


**straumann**



*Stationary mixing technology*

## Stationary Verti-Mix





# Optimum mixing results – Thanks to the Verti-Mix S

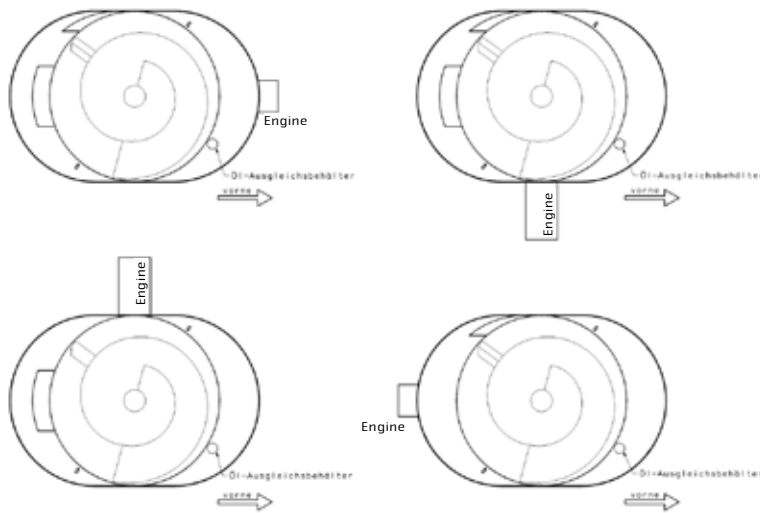
For semi-automated feeding systems, Strautmann combines the experience gathered in the field of towed fodder mixing wagons with that gained from working with dosage systems for biogas plants. The Stationary Verti-Mix series equipped with an electrical drive is the result. The convincing characteristics of the towed fodder mixing wagons have also been implemented in the stationary mixers:

- **Easy towing**
- **Homogeneous mixing**
- **Short mixing time**

Like the towed mixing wagons, the stationary Verti-Mix models are also equipped with an extension concept for flexible increase of volume.



## Verti-Mix S installation options

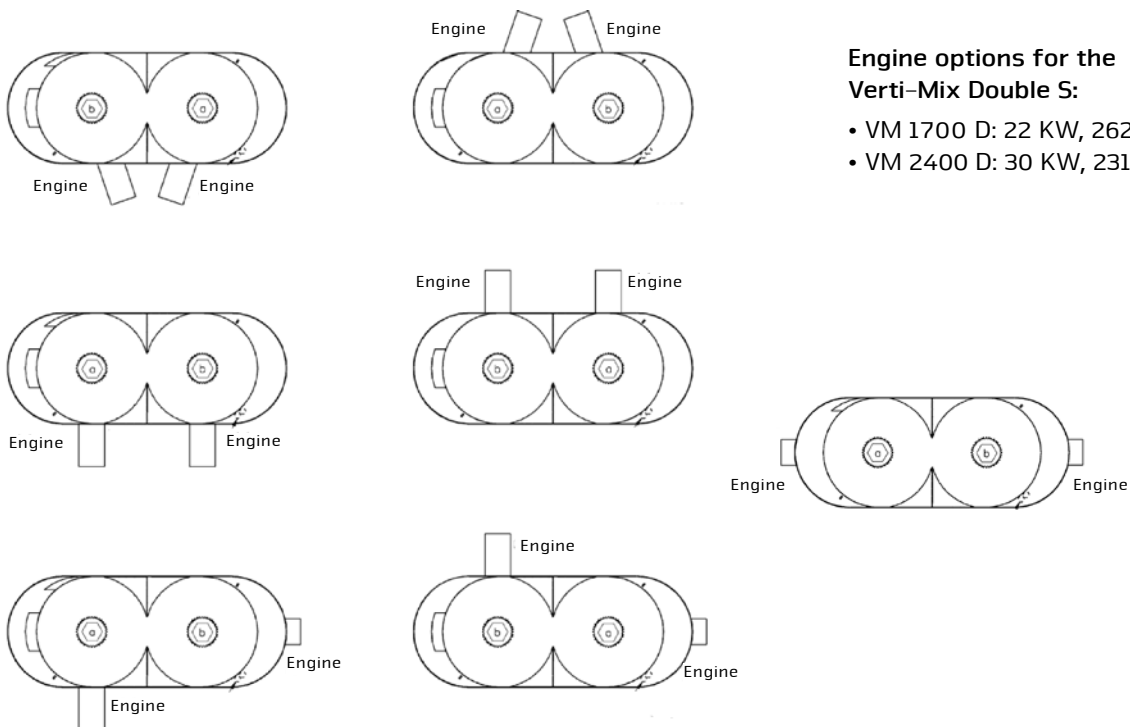


The various installation options enable optimum adaptation to the existing infrastructure.

### Engine options for the Verti-Mix S

- VM 951: 22 KW, 263 U/min
- VM 1651: 22 KW, 230 U/min

## Engine options for the Verti-Mix Double S:



### Engine options for the Verti-Mix Double S:

- VM 1700 D: 22 KW, 262 U/min
- VM 2400 D: 30 KW, 231 U/min

## Operating options



### The basic model

- Standard
- Casing for hydraulic unit and control box

### The complete package

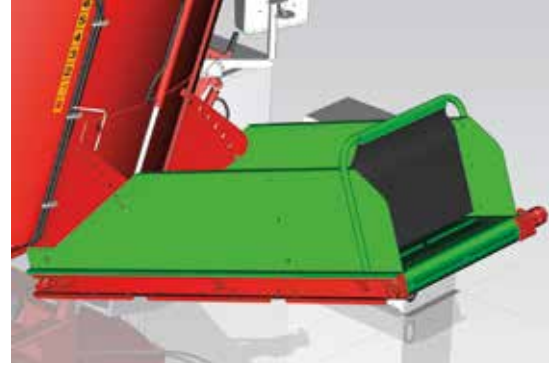
- Optional extra
- Switch and power cabinet
- With control set for hydraulic functions
- Incl. frequency converter





**The proper discharge for your business**

Depending on the individual conditions prevailing in an enterprise, discharge via side doors at different points is possible. Furthermore, slope conveyors of different lengths up to 4.5 m for the transfer to other transport systems are available.



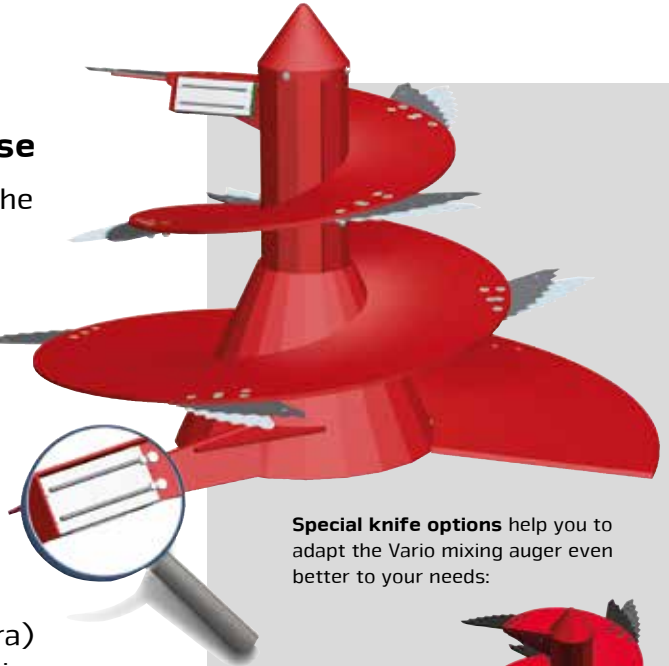
**The Vario mixing auger – Variability and strength for any purpose**

Due to the patented knife adjustment system, the Vario mixing auger can be perfectly adapted to your specific conditions of use. The robust and low-maintenance angular gear ensures long service life even under challenging conditions.

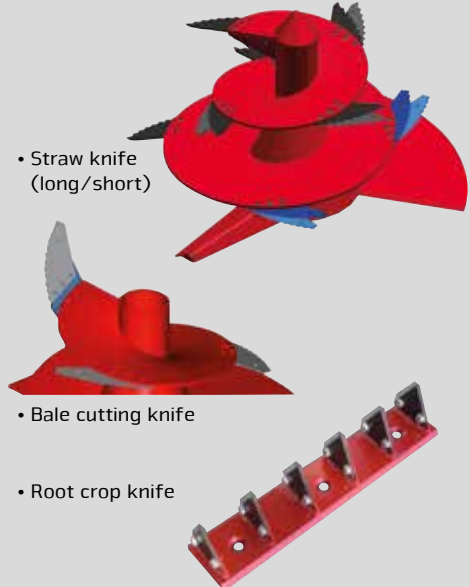
**Highly effective magnetic separation of metallic foreign objects**

Each silage and any kind of purchased fodder might contain metallic foreign objects which might harm your dairy cattle.

The Strautmann magnetic system (optional extra) directly mounted at the mixing auger offers optimum health protection for your high-yield cows. The system is mounted such that it is in direct and close contact with the mixed fodder, thus working very effectively.



Special knife options help you to adapt the Vario mixing auger even better to your needs:



- Straw knife (long/short)

- Bale cutting knife

- Root crop knife

**Weighing devices – for optimum mixture**



Digi- Star EZ 2500 V adding weighing device

- With tare function
- Incl. measurement of mixing time



PTM HL 50 – programmable weighing device without data transfer

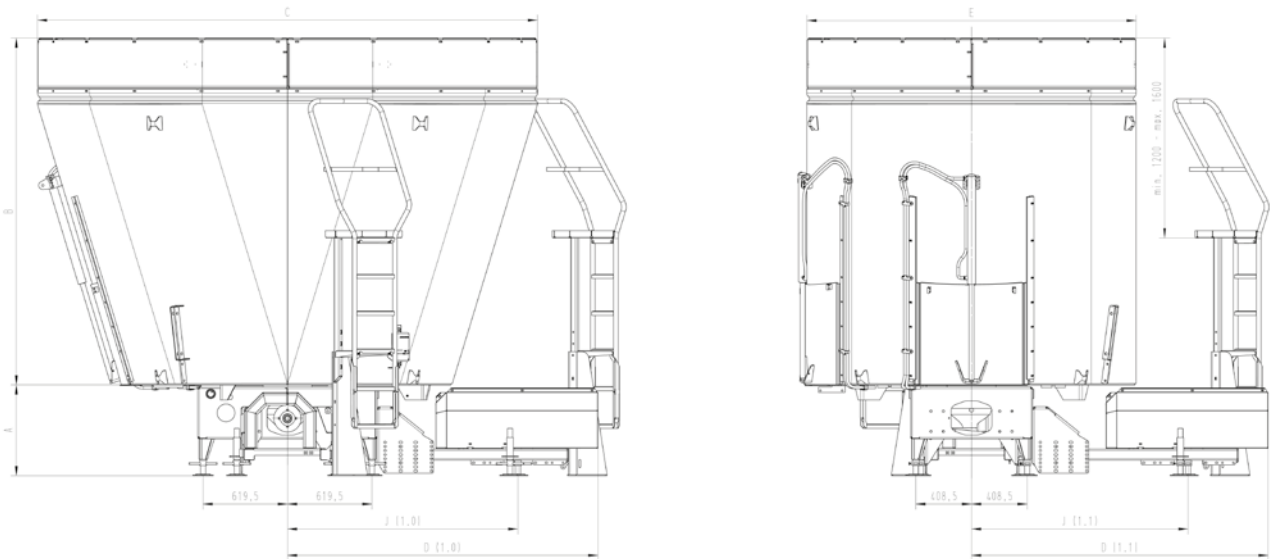
- 50 recipes
- From 30 ingredients



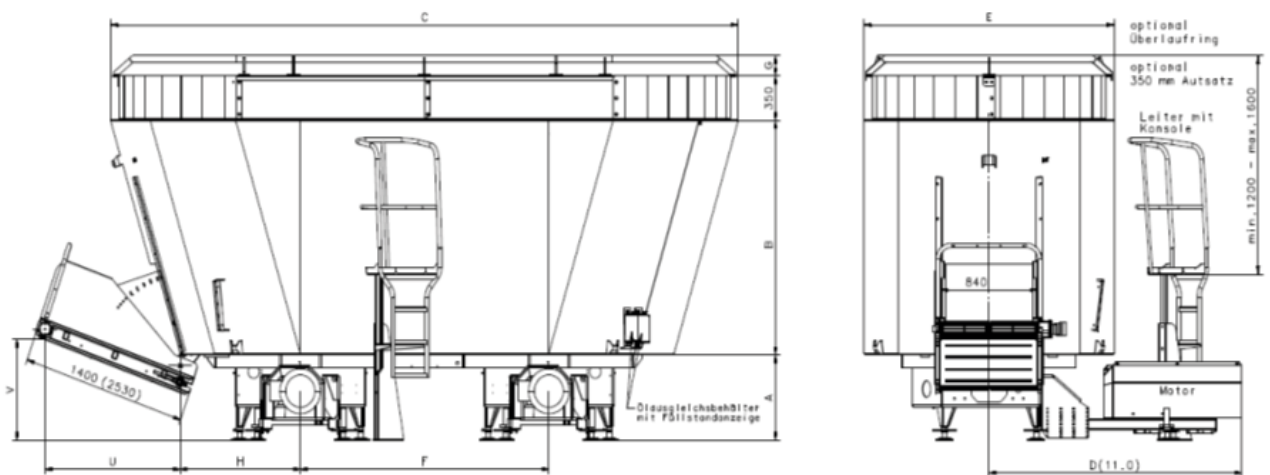
PTM Super Grafik USB – programmable weighing device with data transfer. A complete feed control including time recording

- 150 recipes
- From 30 ingredients
- Optional: Wireless communication with farm PC via USB stick

# Technical data



Type	A [mm]	B [mm]	C [mm]	D (1.0) [mm]	J (1.0) [mm]	D (1.1) [mm]	J (1.1) [mm]	E [mm]
Stationary VM 951	665-765	1560	3030	2277.5	1690	2176.5	1589	2156
Stationary VM 1651	665-765	2180	3669.5	2277.5	1690	2176.5	1589	2416
Transfer belt			U [mm]			V [mm]	V [mm]	
PVC discharge conveyor 1400 mm			1.165 - 990			780 - 1.140	1,66	
PVC discharge conveyor 2530 mm			2.185 - 1.835			1.135 - 1.830	2,10	



Typ	A [m]	B [m]	C [m]	D [m]	E [m]	F [m]	G [m]	H [m]
VM 1700 Double stationär	0,67	1,81	5,40	2,18	2,16	2,14		1,04
VM 2400 Double stationär	0,67	2,31	6,07	2,40	2,42	2,40	5,99	1,17
Transfer conveyor			U [mm]			V [mm]	V [mm]	
PVC discharge conveyor 1400 mm			1.165 - 990			780 - 1.140	1,66	
PVC discharge conveyor 2530 mm			2.185 - 1.835			1.135 - 1.830	2,10	



# strautmann



Strautmann main production facility in Bad Laer

B. Strautmann & Söhne GmbH u. Co. KG is a medium-sized family-owned business in the administrative district of Osnabrück which already celebrated its 80th anniversary of existence and now being managed by the third generation. In a modern plant at the second production site in Lwówek (Poland), Strautmann manufactures individual machine components and, apart from that, also parts of the

machine programme such as tipping trailers, buckets or shear grabs. As a machine manufacturer offering a wide range of machinery for cattle feeding, green fodder harvesting, universal spreaders and transport technology as well as in the field of charging and dosing technology for biogas plants, Strautmann is the competent partner for almost any customer in this industry.



Pol-Strautmann



**B. Strautmann & Söhne GmbH u. Co. KG**

Bielefelder Straße 53 · D-49196 Bad Laer · Tel.: +49(0)5424/802-0 · Fax: +49(0)5424/802-76 · info@strautmann.com · www.strautmann.com